

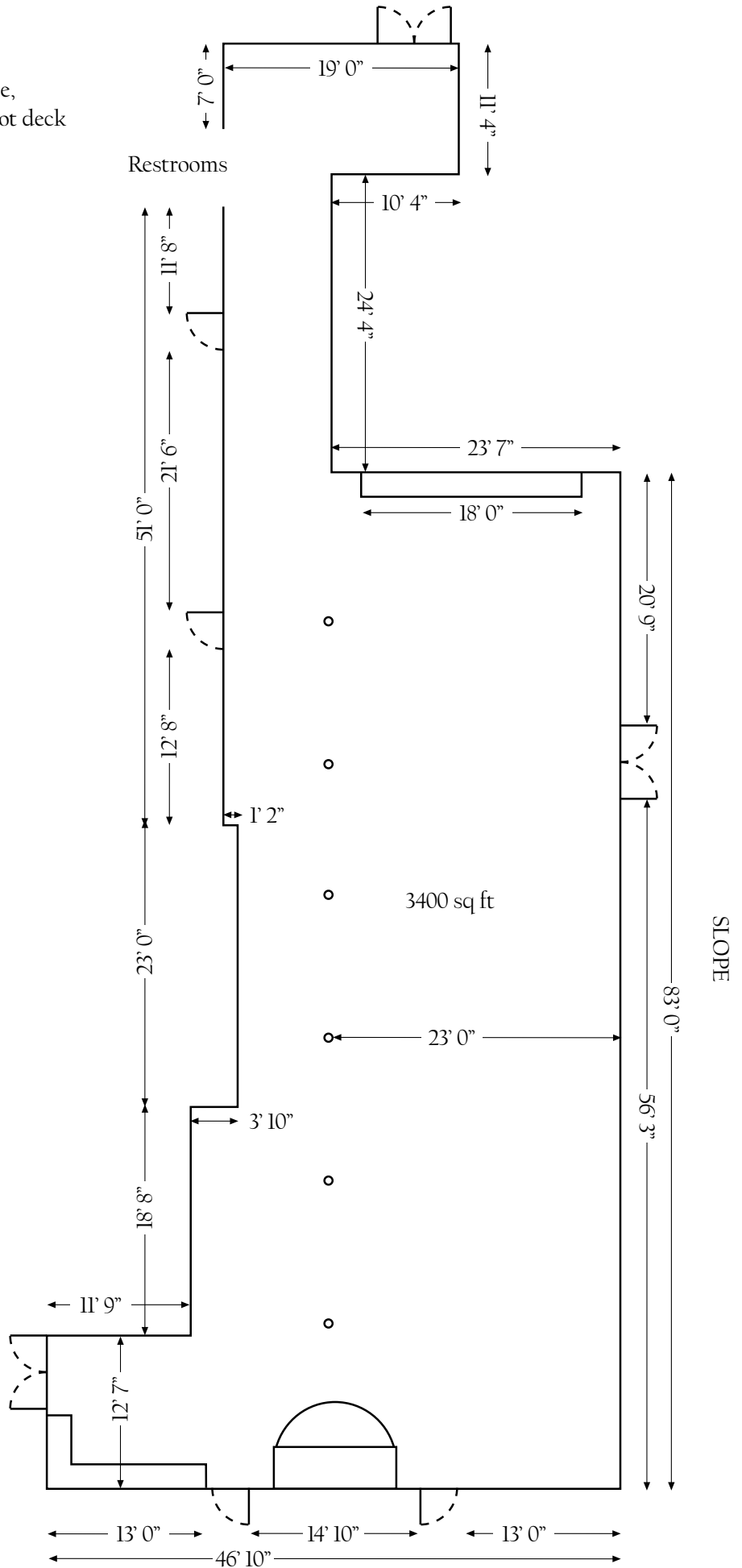
# MAIN DINING ROOM

The Main Dining Room features a large fireplace, natural pine paneling, use of our 3600 square foot deck and a magnificent view of the slopes.

Room Size: 26.2' x 83'  
 Square Footage: 3400

Seating Capacity:

Reception	300
Banquet	200
Theater	200
Classroom	150
U-Shape	50
Hollow Square	60



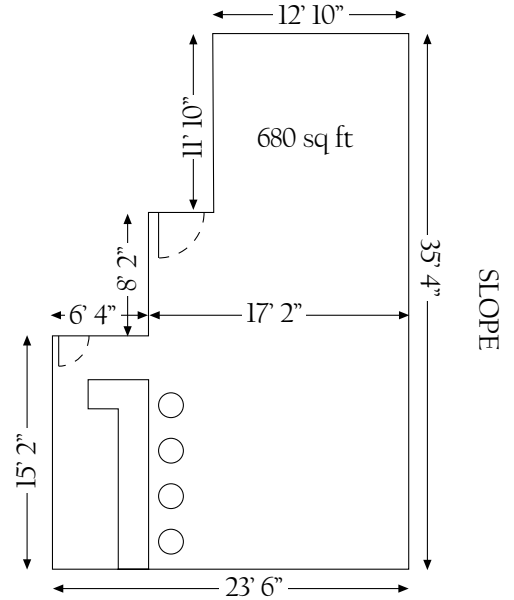
# SNOW CLUB LOUNGE

The Snow Club Lounge is the quintessential 70's ski resort bar right down to the Ski Bunny pictures on the wall. The room features a 5 foot long bar and a fabulous view of the slopes. Perfect in conjunction with the Main Dining Room or for an intimate rehearsal dinner.

Room Size: 23.6' x 35.4'  
 Square Footage: 680

Seating Capacity:

Reception	50
Banquet	30
Theater	50
Classroom	45
U-Shape	26
Hollow Square	32



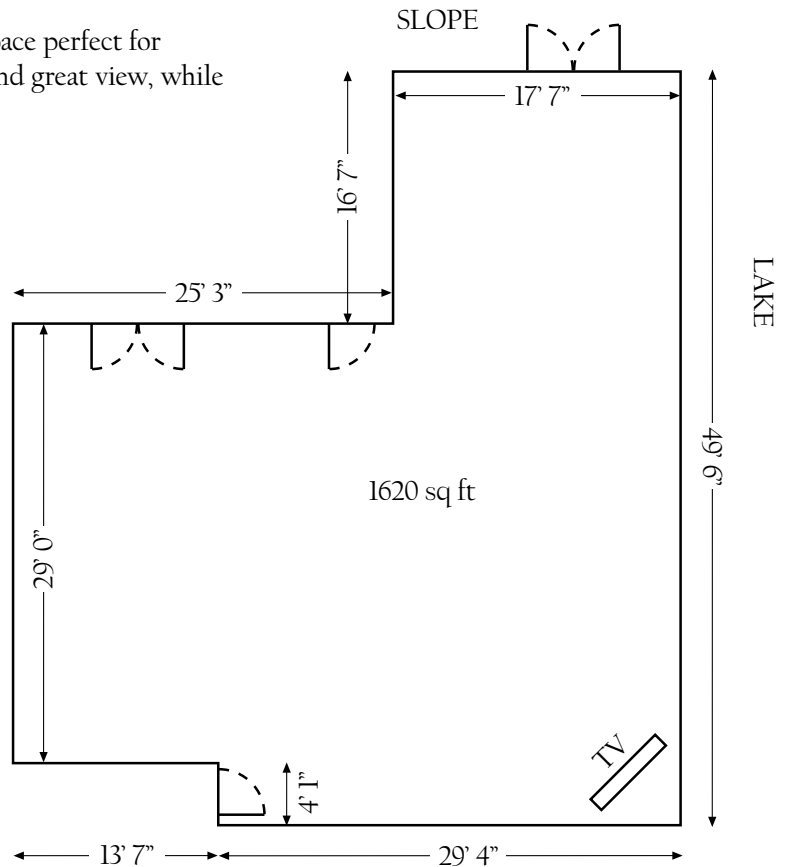
# DINING ROOM ANNEX

The Dining Room Annex is a comfortable medium-sized space perfect for larger gatherings. Multiple windows provide lots of light and great view, while two entrances give easy access.

Room Size: 43' x 49.6'  
 Square Footage: 1620

Seating Capacity:

Reception	150
Banquet	120
Theater	150
Classroom	120
U-Shape	50
Hollow Square	60



# SNOW CLOUD ROOM

The Snow Cloud Room has a private entrance from the front of the lodge and is perfect for events during the ski season. It also features a small balcony and a great view of the slopes.

Room Size: 35.5' x 59'  
Square Footage: 2250

## Seating Capacity:

Reception	200
Banquet	150
Theater	200
Classroom	150
U-Shape	50
Hollow Square	60

